

Features

This is an adjustable flow rate single stage vacuum pump. The design of this pump enables particles and small debris to pass directly through the pump.

Specifications

Max.vacuum level	-84kPa
Max.vacuum flow rate	3390l/m
Air supply pressure	4-6bar Max.7bar
Air supply type	Dry Compressed air

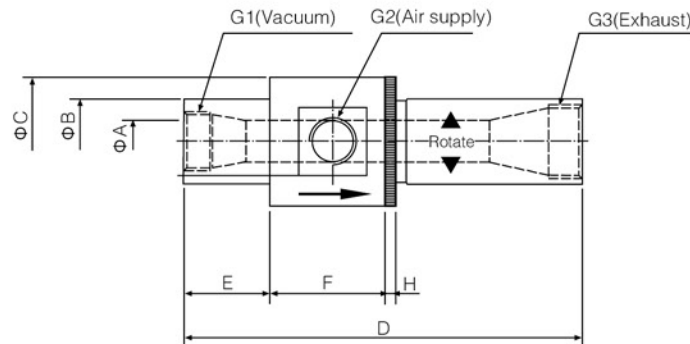


How to Order

ACP 250 – AL

① Specification	
250	500
375	750

② Material
AL-Aluminum
SS-Stainless steel



Model	Dimension									
	ΦA	ΦB	ΦC	D	E	F	H	G1	G2	G3
ACP250	6.5	19	32	94-105	22	32	5	G1/4	G1/8	G1/4
ACP375	10	25	45	155-165	38	45	5	G3/8	G3/8	G1/2
ACP500	13	32	51	155-160	38	51	5	G1/2	G3/8	G3/4
ACP750	19	38	58	175-189	38	51	5	G3/4	G1/2	G1

Model	Air supply pressure bar	ACP series Air Consumption(L/m)at different vacuum levels(-kPa)				
		17	34	50	68	84
ACP250	5.5	112	169	233	276	342
ACP375		176	327	485	595	825
ACP500		340	625	795	940	1280
ACP750		650	875	1250	1790	2550

Model	ACP series Vacuum flow(L/m)at different Vacuum levels(-kPa)				
	17	34	50	68	84
ACP250	280	240	200	162	125
ACP375	846	735	620	520	395
ACP500	1695	1325	1130	990	650
ACP750	3390	2460	1970	1440	1130

Vacuum Pumps

ABM

ABX

ABM/ABX
Combined type

ASM

ASX

AM

AL

AH

AM
Combined type

AL
Combined type

AH
Combined type

AZL112

AZL212

ACP

ACPF

ACPS

ACV

AQV

AZH

AZU

ASBP